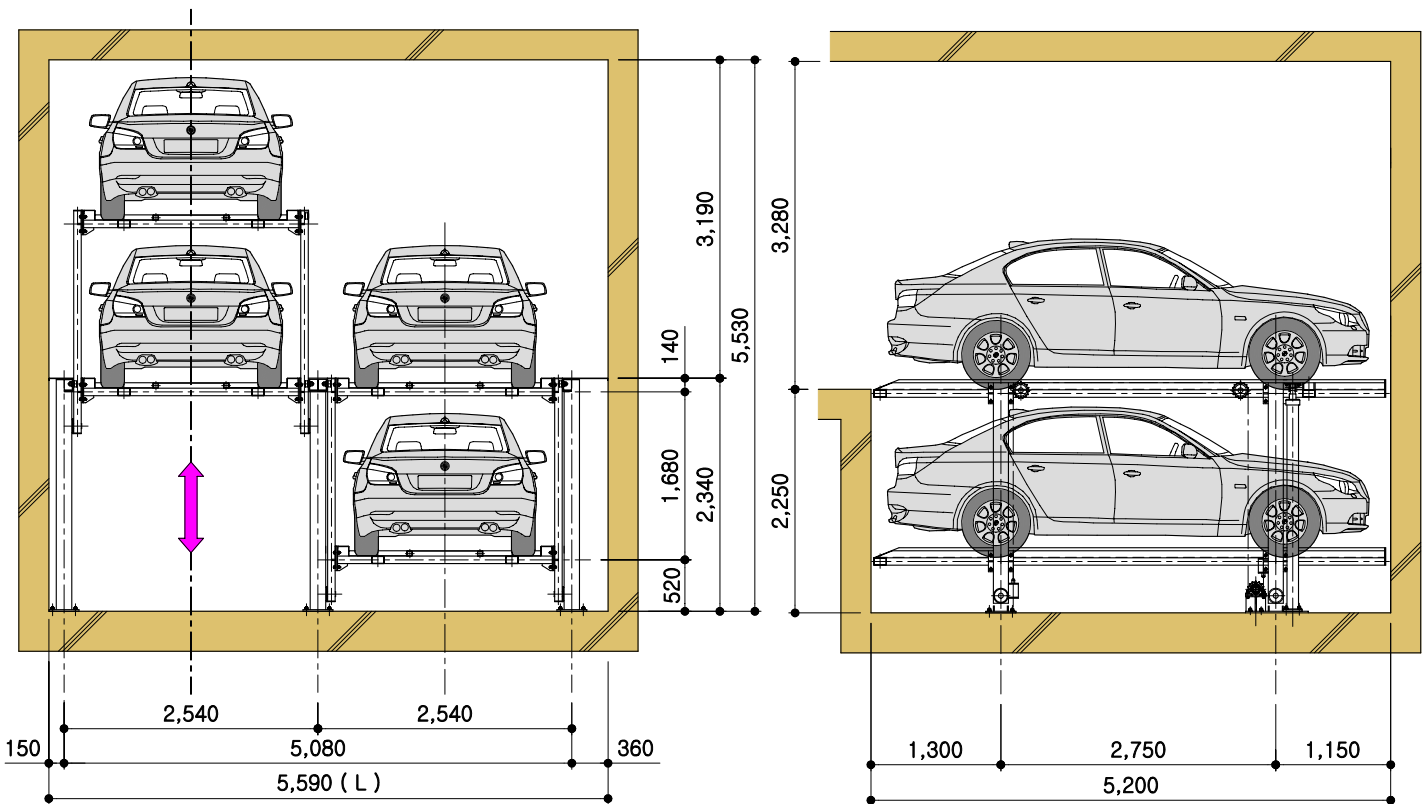


Stacker Parking System



Single 2 Stacker Parking System



Standard Dimension

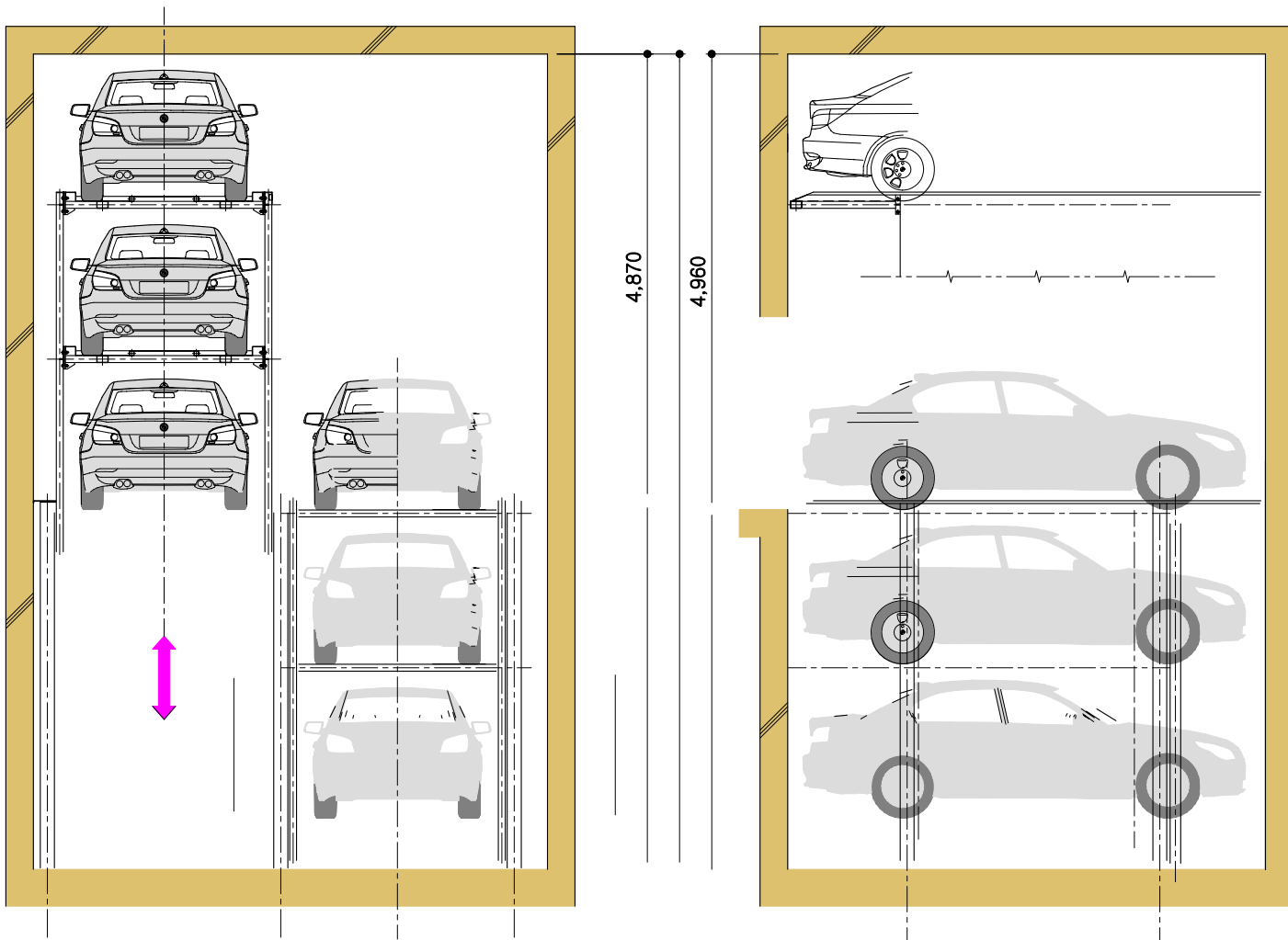
2 STACKER L (mm)	BAYS			
	2	4	6	8
DIMENSION	3,050	5,590	8,130	10,670



SPECIFICATIONS		
SYSTEM TYPE	SINGLE 2 STACKER TYPE	
CAR TYPE (SEDAN)	LENGTH	5,050 mm
	WIDTH	2,200 mm
	HEIGHT	1,600 mm
	WEIGHT	2,000 Kg
CYLINDER SPEED	4 m/min	
LIFTING MOTOR	3.7 kW x 4P	
PUMP	15 CC/rev	
POWER SOURCE	415V x 4P, 7.5 KVA	

Stacker Parking System

Single 3 Stacker Parking System



Standard Dimension

3 STACKER L (mm)	BAYS	3	6	9	12
	DIMENSION	3,050	5,590	8,130	10,670

SPECIFICATIONS		
SYSTEM TYPE		SINGLE 3 STACKER TYPE
CAR TYPE (SEDAN)	LENGTH	5,050 mm
	WIDTH	2,200 mm
	HEIGHT	1,600 mm
	WEIGHT	2,000 Kg
CYLINDER SPEED		4 m/min
LIFTING MOTOR		5.5 kW x 4P
PUMP		20 CC/rev
POWER SOURCE		415V x 4P, 10 KVA